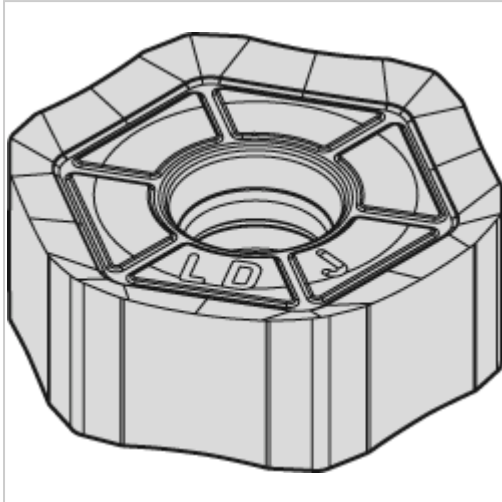




Wendeschneidplatte HNGJ 0704 ANFN LDJ THM-U



WIDIA

€32.72*

Prices incl. VAT plus shipping costs

Art nr.: **170042THMU**

Properties

Einsatzgebiet:	Nichteisenmetalle
ISO-Code:	HNGJ 0704 ANFN LDJ
Schnitt:	leicht unterbrochener schnitt

Variants

Code	Schneidstoff	PU	Price/PU
170042THMU	THM-U	1 St.	€32.72
170042TN6501	TN6501	1 St.	€37.37
170044TN6520	TN6520	1 St.	€32.96
170044WP25PM	WP25PM	1 St.	€34.63
170044WP40PM	WP40PM	1 St.	€34.51
170044WS40PM	WS40PM	1 St.	€33.56