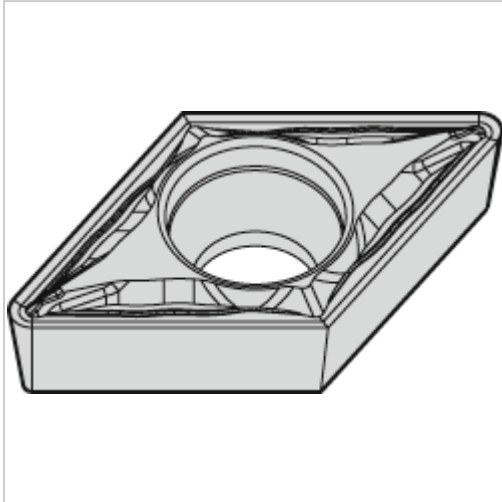




Wendeschneidplatte ZrCN DCMT 11T304 FP WP25CT



WIDIA

€13.92*

Prices incl. VAT plus shipping costs

Art nr.: **193025WP25CT**

Properties

Bearbeitung:	Schlichten
Beschichtung:	ZrCN
Schnitt:	glatter schnitt
Spanbrecher:	Ja
Spanleitstufe:	FP

Variants

Code	Schneidstoff	ISO-Code	PU	Price/PU
193025WP25CT	WP25CT	DCMT 11T304 FP	1 pices	€13.92
193024WP25CT	WP25CT	DCMT 11T302 FP	1 pices	€15.59
192912WP25CT	WP25CT	DCMT 070204 FP	1 pices	€10.35
193024WM25CT	WM25CT	DCMT 11T302 FP	1 pices	€15.59
193025WM25CT	WM25CT	DCMT 11T304 FP	1 pices	€13.92
192912WM25CT	WM25CT	DCMT 070204 FP	1 pices	€10.35