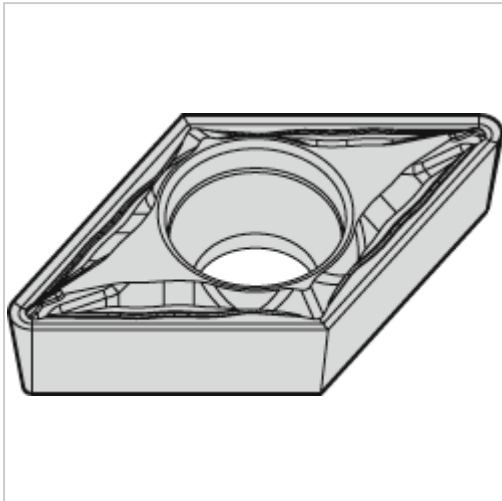




## Wendeschneidplatte ZrCN DCMT 070204 FP WM25CT



# WIDIA

**€8.92\***

Prices incl. VAT plus shipping costs

Art nr.: 192912WM25CT

### Properties

<b>Bearbeitung:</b>	Schlichten
<b>Beschichtung:</b>	ZrCN
<b>Schnitt:</b>	glatter schnitt
<b>Spanbrecher:</b>	Ja
<b>Spanleitstufe:</b>	FP

### Variants

Code	Schneidstoff	ISO-Code	PU	Price/PU
193025WP25CT	WP25CT	DCMT 11T304 FP	1 pices	€12.14
193024WP25CT	WP25CT	DCMT 11T302 FP	1 pices	€13.68
192912WP25CT	WP25CT	DCMT 070204 FP	1 pices	€8.92
193024WM25CT	WM25CT	DCMT 11T302 FP	1 pices	€13.68
193025WM25CT	WM25CT	DCMT 11T304 FP	1 pices	€12.14
<b>192912WM25CT</b>	<b>WM25CT</b>	<b>DCMT 070204 FP</b>	<b>1 pices</b>	<b>€8.92</b>