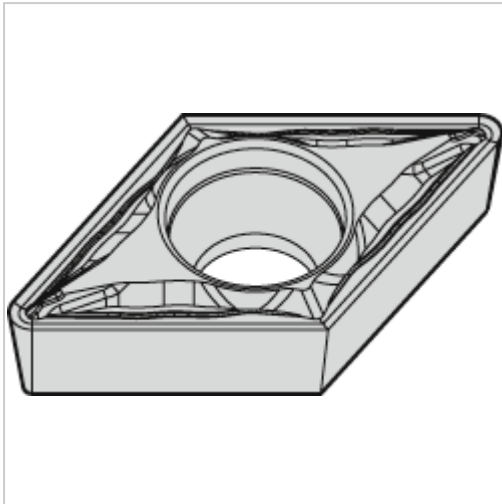




Wendeschneidplatte ZrCN DCMT 070204 FP WP25CT



WIDIA

€8.92*

Prices incl. VAT plus shipping costs

Art nr.: **192912WP25CT**

Properties

| | |
|----------------|-----------------|
| Bearbeitung: | Schlichten |
| Beschichtung: | ZrCN |
| Schnitt: | glatter schnitt |
| Spanbrecher: | Ja |
| Spanleitstufe: | FP |

Variants

| Code | Schneidstoff | ISO-Code | PU | Price/PU |
|---------------------|---------------|-----------------------|----------------|--------------|
| 193025WP25CT | WP25CT | DCMT 11T304 FP | 1 pices | €12.14 |
| 193024WP25CT | WP25CT | DCMT 11T302 FP | 1 pices | €13.68 |
| 192912WP25CT | WP25CT | DCMT 070204 FP | 1 pices | €8.92 |
| 193024WM25CT | WM25CT | DCMT 11T302 FP | 1 pices | €13.68 |
| 193025WM25CT | WM25CT | DCMT 11T304 FP | 1 pices | €12.14 |
| 192912WM25CT | WM25CT | DCMT 070204 FP | 1 pices | €8.92 |